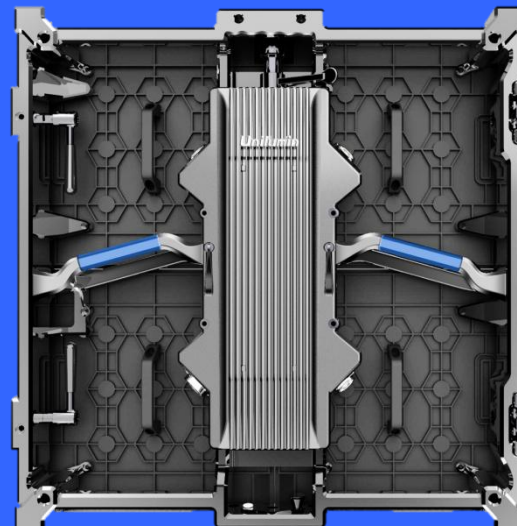


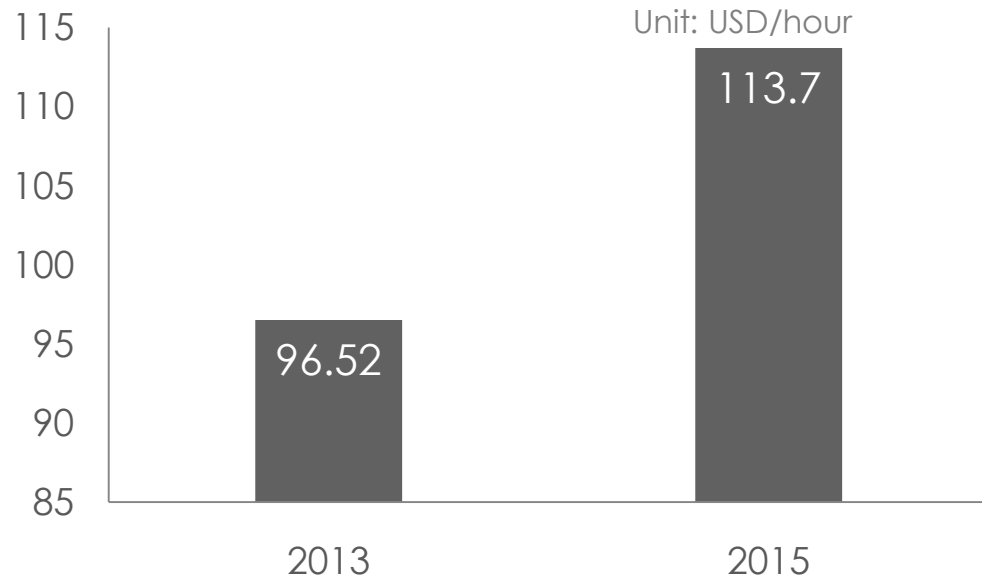
UPAD III



ROI

Return on investment

The U.S. average labor rate for rigger



Data source: Exhibition & Event Industry Labor Rates Survey by Access Intelligence, LLC .



Two year compound
annual growth rate

8.5%

FLEXIBLE IN USE

ONE PRODUCT
FOR ALL PROJECTS

- What if the product you buy only applicable for cost conservative projects?
- What if the product you buy is not applicable for curving projects?
- Why not to **LIFT ROI** with the product that can do both high end and cost conservative, flat and curving projects?



That's why we design it!



Upad III

One, for All.

COST DOWN

FLEXIBLE IN USE

Single
Person
Handling

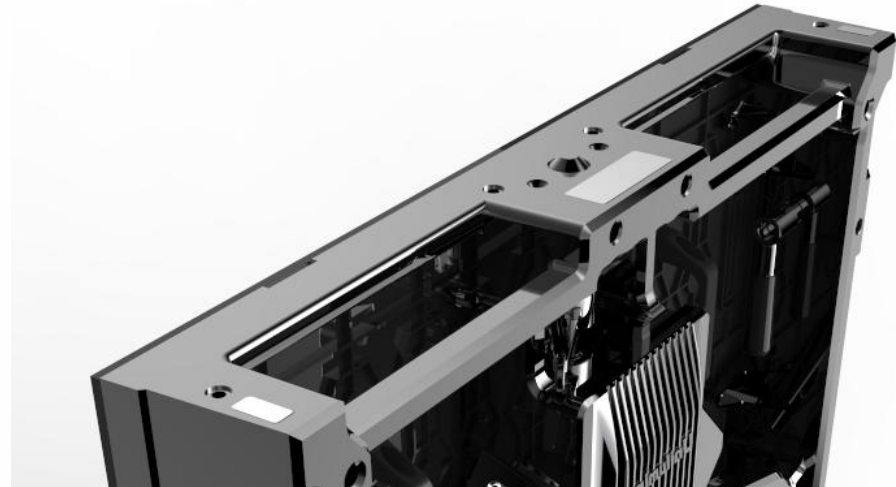
Concave
and
convex

Able to win
high end
projects

Single Person Handling

Single PERSON HANDLING

- Special magnets on the top of the panel
- Panels will be attracted when approaching
- One person is one work group



ONE PERSON MAINTENANCE ON MODULE

Magnetic* and rear-accessible module design, ideal for rental & staging environment



*Magnetic module is for indoor only

ONE PERSON MAINTENANCE ON POWER & R.C.



Power supply

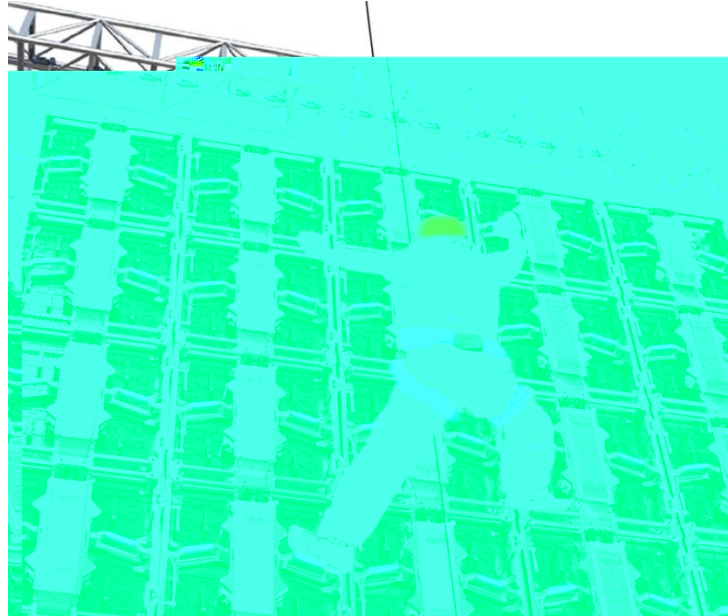
Receiving card



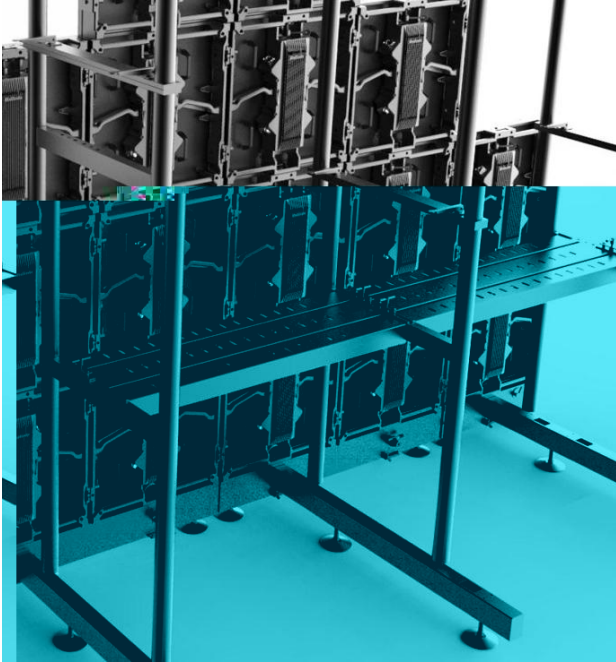
Modular designed core components enable fast replacement

MAINTENANCE WHEN HANGING

- Climbable panel design
- No need for scissor lifts



MAINTENANCE WHEN STACKING



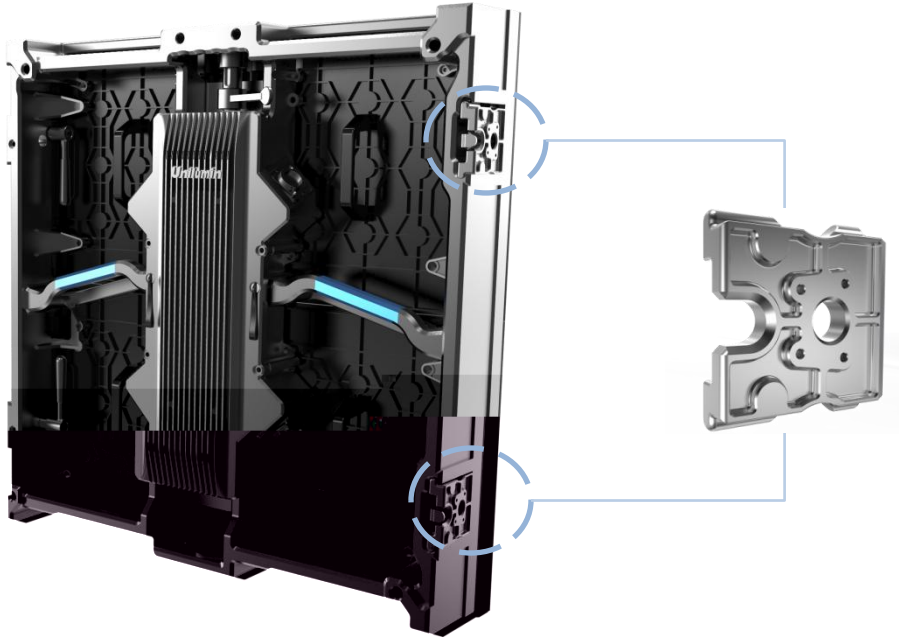
- Fast assemble stacking system
- Service platform is designed



From Installation to Disassembly to Maintenance
One Person handles all instead of two!

One for Two Curve Installations

BUILT-IN CURVE DESIGN FOR INDOOR PRODUCTS



Built-in, precise, easy to use

Convex Curve up to 5°



Concave Curve up to 10°



One for Extraordinary User
Experience

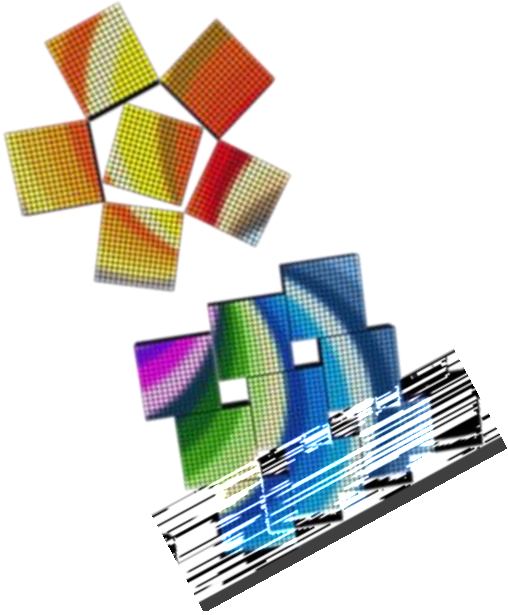
BOTH BROMPTON AND UNILUMIN SYSTEM

- Easy-to-use software interface
- Powerful and flexible performance
- Thoroughly integrated with Unilumin product

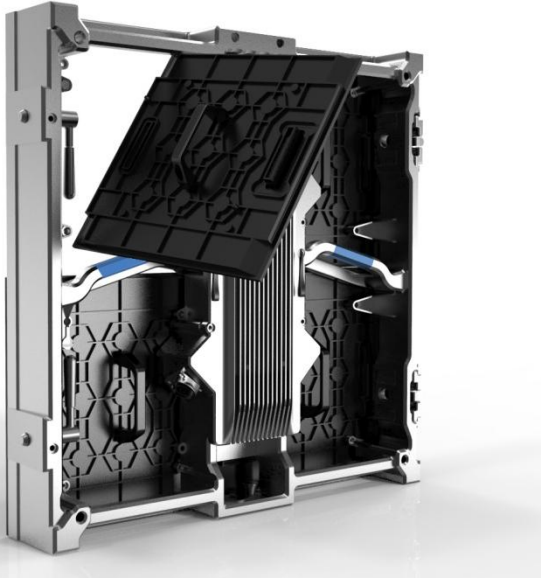
TESSERA
LED PROCESSING



Brompton system



EASY MODULE SERVICE LIKE NEVER BEFORE



- Onboard flash memory
- Calibration data stored both in module and receiving card
- Free from re-calibration after service

FLAT BACK ENABLES MORE FLEXIBILITY

- 45° power & data interface, easy to plug in
- Optimized cable management to create a flat back
- Flat back side enable against-truss mounting



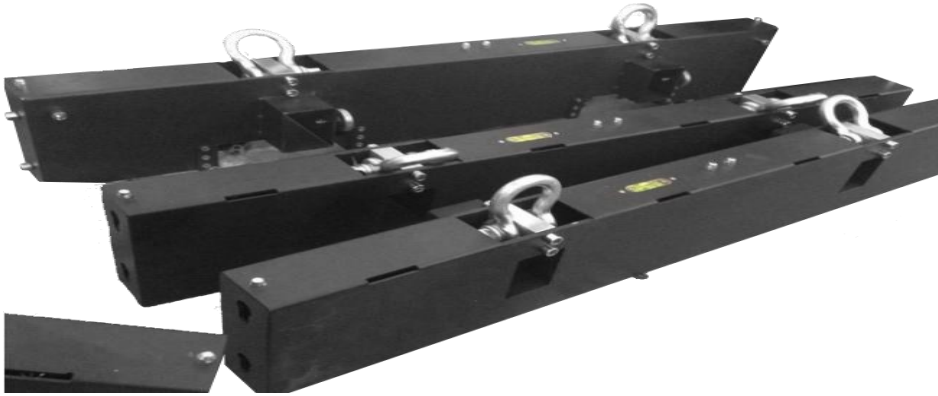
CONSIDERATE DESIGN



Bottom Edge LEDs Well-Protected

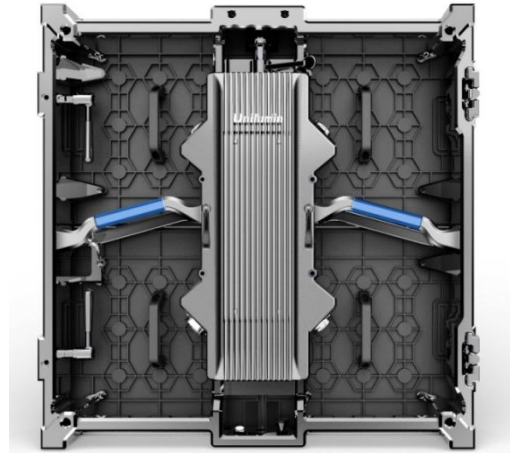
Thickened
base
design

ONE ACCESSORY FOR TWO USAGE



- Can be used as both hanging bar and ground beam
- Same accessories for both indoor & outdoor product
- Optional slim hanging bar

ONE PANEL DESIGN FOR INDOOR AND OUTDOOR



Upad III indoor and outdoor products share the same panel structure, so accessories are the same. Plus, 4.8mm outdoor is ok for both indoor and outdoor use.



One, for All.

Win both cost conservative & high end projects
Applicable for flat & curving projects
Both indoor & outdoor
One person handles all

Product Portfolio

INDOOR

UPADIII 2.6
UPADIII 3.9

OUTDOOR

UPADIII 4.8
UPADIII 5.9
UPADIII 6.9

Main Technical Specification

Parameters	Indoor		Outdoor				
Pixel Pitch(mm)	2.604	3.906	4.807	5.952	6.944		
LED Type	3-in-1 SMD2121		3-in-1 Black SMD2727	3-in-1 Black SMD2727	3-in-1 SMD2727	3-in-1 Black SMD2727	3-in-1 SMD2727
Panel Resolution (px)	192 x192	128 x128	104 x104	84 x 84	72 x 72		
Brightness (NITs)	1200		5500	5000/5500			
Contrast Ratio	3000:1		5000:1	5000:1/3000:1			
Panel Size (W*H*D mm)	500*500*86			500*500*86			
Panel Weight (kg)	9		9.2				
IP Level	IP30			IP65			
Serviceability	Rear			Rear			
Refresh Rate(Hz)	2880	3840	2880	3840			
Power Consumption Per Panel (avg/max)	40W/120W		76W/230W	76W/230W (Black) 70W/210W	76W/230W (Black) 70W/210W		

Note: Power data is for reference only. For detailed specification, please contact our sales.



THANKS FOR YOUR TIME



DISPLAY A GLORIOUS WORLD AND LIGHT UP A HAPPY LIFE

Unilumin Group Co., Ltd.

Headquarters: 112 Yongfu Rd., Qiaotou Village, Fuyong Town, Baoan District, Shenzhen, 518103, China

Factory Address: 6 Lanjing North Road, Pingshan District, Shenzhen, 518118, China

Tel: +86-755-29918999

Fax: +86-755-29912092

Sales E-mail: sales@unilumin.com

Official website: <http://www.unilumin.com>

