

# AGITO SPORTS

## MODULAR DOLLY SYSTEM



## Product specification

RF - Modular, 2.4GHz Hopping spread spectrum standard

3 steering modes - 2ws, 4ws, crab steer  
Adjustable throttle and steering behaviours  
Recordable moves - 30 minute move memory

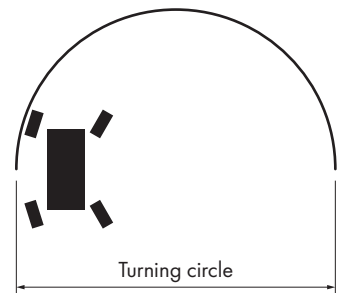
Power - 2 x 48v (100Wh flight safe) Lithium Ion batteries  
Battery charging - 2 x Chargers included  
Charge time - 1 hr from flat  
Battery lifecycle - 300-500 charge cycles

Turning circle - 2.5m (4ws mode, multi terrain/dolly wheels)

Aux power output - 2 x 12vdc (Total shared 2A load)  
Data connection - CAN Bus, RS232, UART

Camera/head mounting - Via V-Con, Mitchel mount & Tower  
Chassis payload - 32kg

Chassis weight - 32kg  
Transportation/storage - Packs in to flight cases, each under 32kg.



### Contact

Phone +44 (0)1454 501010  
e-mail [sales@motion-impossible.com](mailto:sales@motion-impossible.com)  
Web [www.motion-impossible.com](http://www.motion-impossible.com)

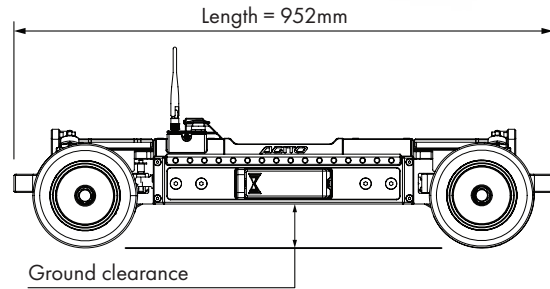
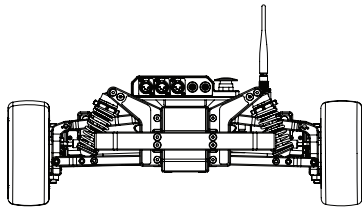


### Motion Impossible Ltd

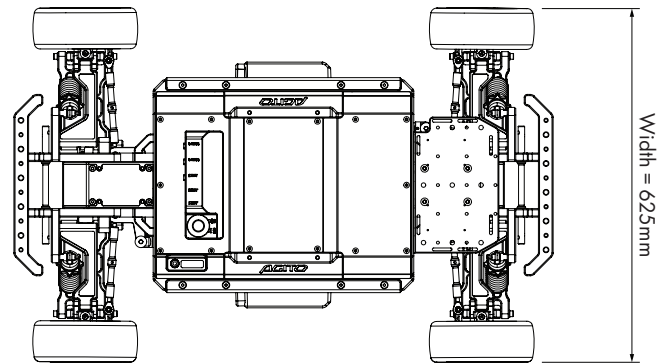
Unit 12 Brunel Court, Dean Road  
Yate, Bristol, UK,  
BS37 5NR



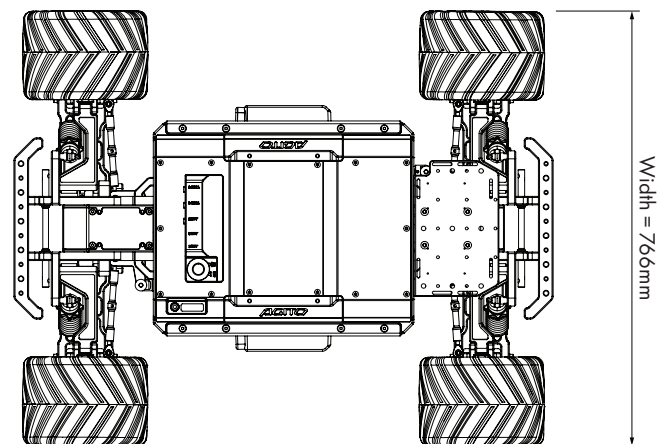
## Physical specification



AGITO Sports - Multi terrain/dolly wheels  
Wheel diameter = 185mm  
Ground clearance = 78mm



AGITO Sports - Monster wheels  
Wheel diameter = 225mm  
Ground clearance = 96mm



### Contact

Phone +44 (0)1454 501010  
e-mail [sales@motion-impossible.com](mailto:sales@motion-impossible.com)  
Web [www.motion-impossible.com](http://www.motion-impossible.com)



### Motion Impossible Ltd

Unit 12 Brunel Court, Dean Road  
Yate, Bristol, UK,  
BS37 5NR