

AGITO TRAX

MODULAR DOLLY SYSTEM



Product specification

RF - Modular, 2.4GHz Hopping spread spectrum standard

Speed range = 0.11-6mph
Magnetic endstop capability
Position encoders from non-slip wheels
Adjustable throttle behaviours
Recordable moves - 30 minute move memory

Power - 2 x 48v (100Wh flight safe) Lithium Ion batteries Battery charging - 2 x Chargers included
Charge time - 1hr from flat
Battery lifecycle - 300-500 charge cycles

Minimum Curve Radius - 2m
Track Width Gauge = 300mm-409mm (11.8in- 16.1in)

Aux power output - 2 x 12vdc (Total shared 2A load)
Data connection - CAN Bus, RS232, UART

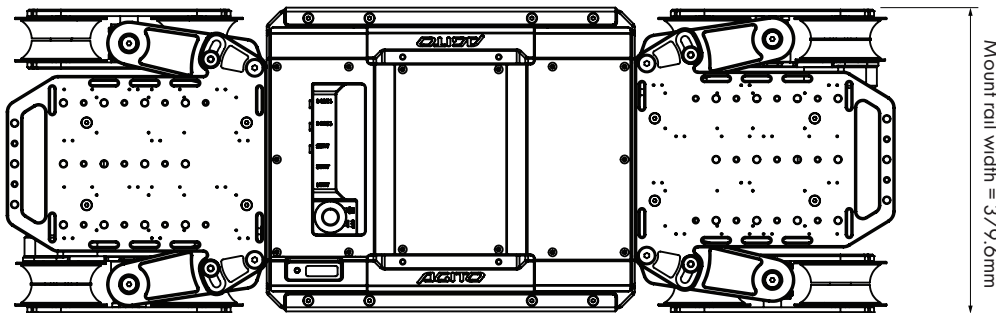
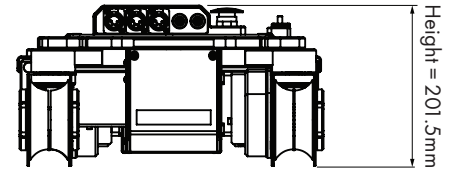
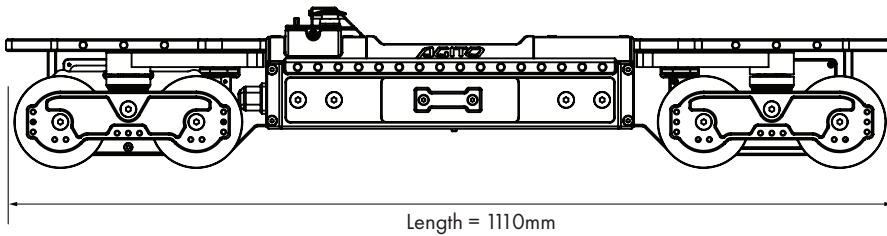
Camera/head mounting - Via V-Con, Mitchel Mount & Tower
Chassis payload - 64kg
Chassis weight - 44kg
Transportation/storage - Packs into flight cases, each under 32kg.

Contact
Phone +44 (0)1454 501010
e-mail sales@motion-impossible.com
Web www.motion-impossible.com



Motion Impossible Ltd
Unit 12 Brunel Court, Dean Road
Yate, Bristol, UK,
BS37 5NR

Physical specification



Contact

Phone +44 (0)1454 501010
e-mail sales@motion-impossible.com
Web www.motion-impossible.com



Motion Impossible Ltd

Unit 12 Brunel Court, Dean Road
Yate, Bristol, UK,
BS37 5NR